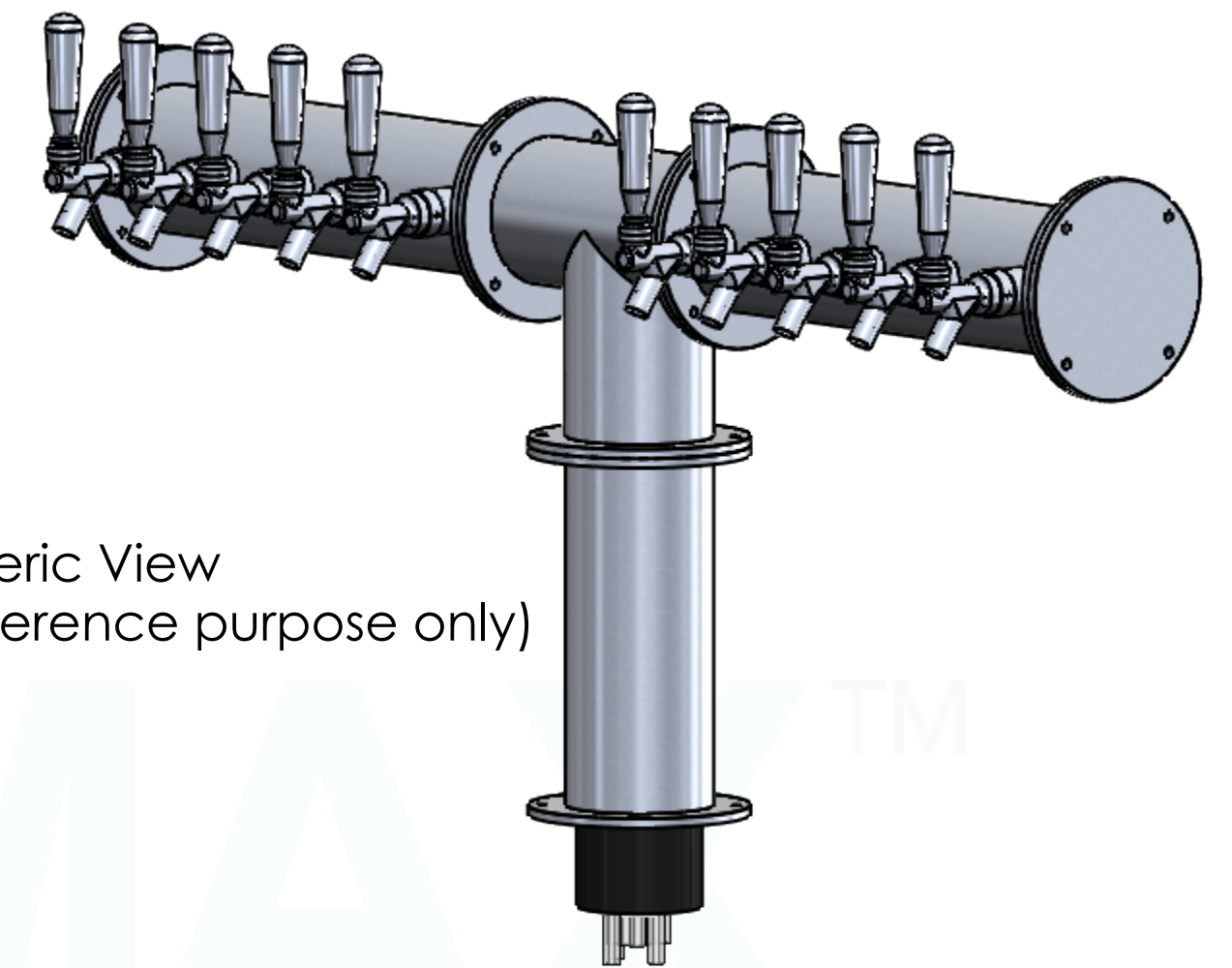
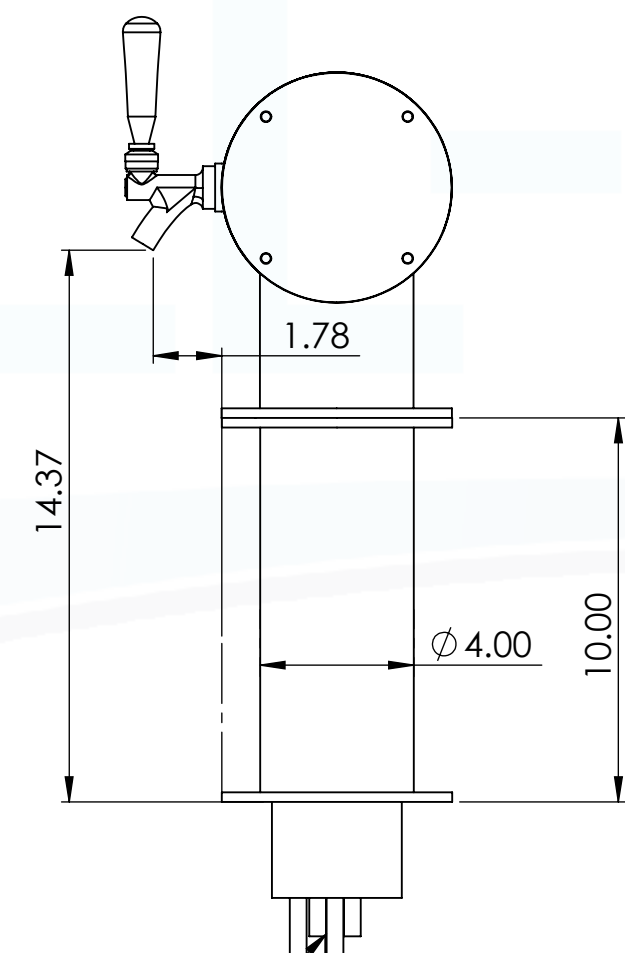
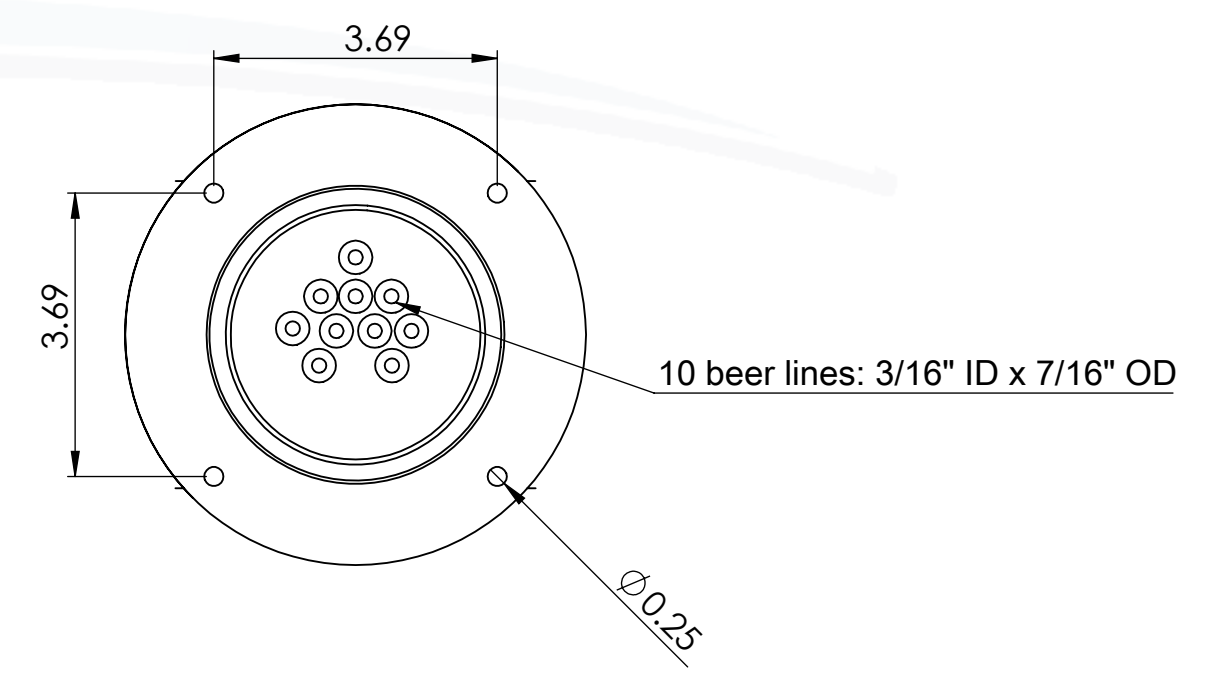


304SS tube connected to CBS NSF Flexible Total Barrier Tubing to 15lbs of Restriction



Isometric View
(For reference purpose only)



DETAIL A
SCALE 2 : 5

Suggested Drip Tray:
 BB701336 - 36" x 7" BSS Drip Tray
 BB702436 - 36" x 7" BSS Spray Drip Tray



Name		Date		Title:	
Drawn By:	Chillmax Beverages Solutions, LLC	09/11/2024		10 T (3"OC) BSS Condor Tower CH-MX AIR	
Approved By:	Production Manager			Part Number:	Revision:
Material:	304 SS	Finish:	Brushed SS	BB101810-10AC	
Unless otherwise mentioned, dimensions are inches				Scale:	1:5